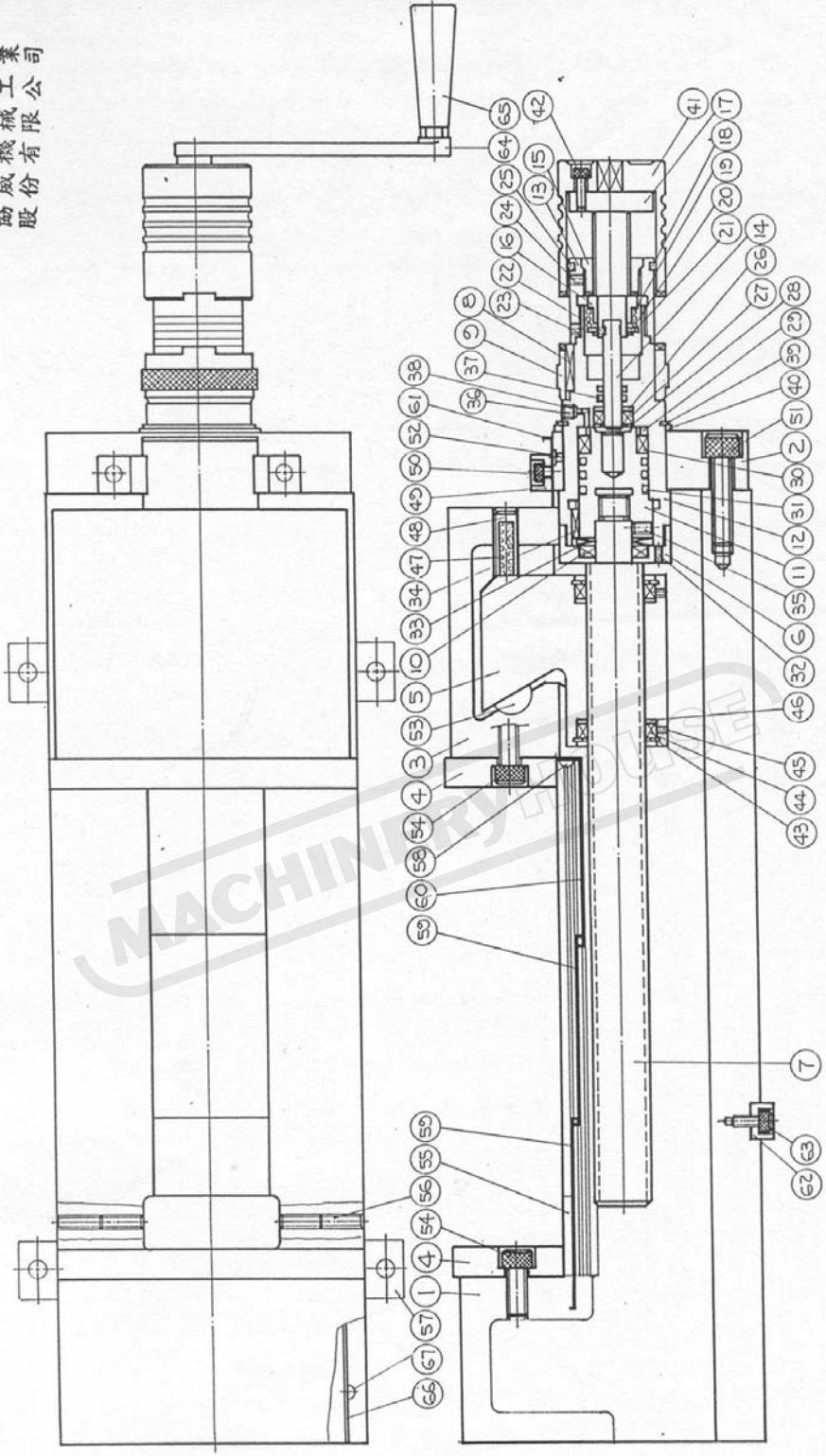


業
工
機
威
份
有
限
公
司



機種		備料尺寸		日期		校對		一般公差		更改內容		日期	
件名	件號	標準	加工	日期	日期	繪圖	設計	尺寸	容許差	更改內容	更改者	日期	日期
								1-4	±0.05				
								4-16	±0.07				
								16-63	±0.1				
								63-250	±0.2				
								250-1000	±0.3				
								1000-1500	±0.5				

CHV

SAFEWAY MACHINERY INDUSTRY CORPORATION

PART LISTS

MODEL:CHV-100V
MECH./HYDR. MC COMPACT VISE.

DATE:8 JULY. 1998
Computer No.07120100

NO.	Computer No.	Part No.	Part Name	Q'ty	Specification	Remark
1	07120100-001	CHV-100-001	MAIN BODY	1		
2	07120100-002	CHV-100-002	MAIN SCREW SUPPORT	1		
3	07120100-003	CHV-100-003	MOVABLE	1		
4	07120100-004	CHV-100-004	JAW PLATES	2		
5	07120100-005	CHV-100-005	LOCK DOWN BODY	1		
6	07120160-006	CHV-160-006	SEAL COVER	1		
7	07120100-007	CHV-100-007	MAIN SCREW	1		
8	07800160-029	PHV-160-029	KEY	1	12X25X5	
9	07120160-008	CHV-160-008	COLLAR	1		
10	OS352007	OS352007	CHIP SEAL	1	35X20X7	
11	07120160-009	CHV-160-009	PISTON	1		
12	07120160-010	CHV-160-010	CYLINDER BODY	1		
13	07120160-011	CHV-160-011	SLEEVE	1		
14	07120160-012	CHV-160-012	POWER PUSH ROD	1		
15	07800160-034	PHV-160-034	CLUTCH(I ^H)	1		
16	07800160-033	PHV-160-033	CLUTCH(I ^L)	1		
17	07800160-035	PHV-160-035	MINOR SCREW ROD	1		
18	R04X4	RO4X4	ROLLER	4	4X4M/M	
19	07800160-037	PHV-160-037	CLUTCH SPRING	1		
20	07800160-036	PHV-160-036	CLUTCH WASHER	1		
21	SR-S-14	SR-S-14	SNAP RING	1	S-14	
22	SB03	SB03	STEEL BALL	1	3M/M	
23	SSM06X08L	SSM06X08L	SET SCREW	1	M6X8L	
24	SSM06X08L	SSM06X08L	SET SCREW	2	M6X8L	
25	SB04	SB04	STEEL BALL	26	4M/M	
26	07800160-027	PHV-160-027	BACKUP RING	1		
27	OS201006	OS201006	OIL-SEAL	1	20X10X06	
28	07800160-021	PHV-160-021	PACKING RING	1		
29	07800160-026	PHV-160-026	BOSTER RING	1		
30	OS352508	OS352508	OIL-SEAL	1		
31	OR-P-28	OR-P-28	O-RING	1	P-28	
32	SSM06X10L	SSM06X10L	SET SCREW	1	M6X10L	
33	DS204015	DS204015	DISC SPRING	1	20X40X1.5	
34	07120160-013	07120160-013	KEY	1		
35	SSM06X08L	SSM06X08L	SET SCREW	1	M6X8L	
36	07800160-024	PHV-160-024	OIL PLUG	1		
37	OR-P-10	OR-P-10	O-RING	2	P-10	
38	07800160-025	PHV-160-025	OIL PLUG SEAL	1		
39	WS212	WS212	SNAP RING	1		
40	07120160-015	CHV-160-015	SNAP RING WASHER	1		

SAFEWAY MACHINERY INDUSTRY CORPORATION

PART LISTS

MODEL:CHV-100V
MECH./HYDR. MC COMPACT VISE.

DATE:8 JULY. 1998
Computer No.07120100

41	07120160-016	CHV-160-016	COLLAR	1	
42	SCM05X16	SCM05X16	SOCKET CAP SCREW	3	M5X16L
43	SR-R-42	SR-R-42	SNAP RING	2	R42
44	07120160-020	CHV-160-020	CHIP SEAL	2	
45	SSM06X08L	SSM06X08L	SET SCREW	2	M6X8L
46	WS6203	WS6203	SPRING WASHER	4	6203
47	07120160-021	CHV-160-021	SPRING WASHER	1	
48	07120130-022	CHV-130-022	ADJUSTING SCREW	1	
49	07120160-023	CMV-160-023	CHIP COVER BLOCK	2	
50	SCM06X10L	SCM06X10L	SOCKET CAP SCREW	2	M6X10L
51	SCM12X40L	SCM12X40L	SOCKET CAP SCREW	4	M12X40L
52	OC-1/4"	OC-1/4"	OIL CAP	1	1/4"
53	07800160-006	PHV-160-006	SEMI-SPHERE SEGMENT	1	
54	SCM10X20L	SCM10X20L	SOCKET CAP SCREW	4	M10X20L
55	07120100-024	CHV-100-024	CHIP COVER GUIDE	1	
56	SSM06X08L	SSM06X08L	SET SCREW	4	M6X8L
57	07120160-025	CHV-160-025	WISE CLAMP BLOCK	4	
58	SDM04X08L	SDM04X08L	ROUND SOCKET CAP SCREW	2	M04X08L
59	07120160-026	CHV-100-026	CHIP COVER (FORWARD 1)	1	
60	07120160-027	CMV-100-027	CHIP COVER (FORWARD 2)	1	
61	07120160-028-1	CHV-100-028-1	CHIP COVER	1	50m/m
	07120160-028-2	CHV-100-028-2	CHIP COVER	1	100m/m
	07120160-028-3	CHV-100-028-3	CHIP COVER	1	150m/m
62	07800200-058	PHV-160-058	GUIDE KEY	2	16m/m
63	SCM06X10L	SCM06X10L	SOCKET CAP SCREW	2	M6X10L
64	07800160-054	PHV-160-054	HANDLE	1	
65	GR-001	GR-001	HANDLE GRIP	1	10m/m
66	07120160-029	CHV-160-029	NAME PLATES	2	CHV-100V
67	SDM04X08L	SDM04X08L	ROUND SET SCREW	4	M4X8L

SAFEWAY MACHINERY INDUSTRY CORPORATION

PART LISTS

MODEL:CHV-130V
MECH./HYDR. MC COMPACT VISE.

DATE:8 JULY. 1998
Computer No.07120130

NO.	Computer No.	Part No.	Part Name	Q'ty	Specification	Remark
1	07120130-001	CHV-130-001	MAIN BODY	1		
2	07120130-002	CHV-130-002	MAIN SCREW SUPPORT	1		
3	07120130-003	CHV-130-003	MOVABLE	1		
4	07120130-004	CHV-130-004	JAW PLATES	2		
5	07120130-005	CHV-130-005	LOCK DOWN BODY	1		
6	07120160-006	CHV-160-006	SEAL COVER	1		
7	07120130-007	CHV-130-007	MAIN SCREW	1		
8	07800160-029	PHV-160-029	KEY	1	12X25X5	
9	07120160-008	CHV-160-008	COLLAR	1		
10	OS352007	OS352007	CHIP SEAL	1	35X20X7	
11	07120160-009	CHV-160-009	PISTON	1		
12	07120160-010	CHV-160-010	CYLINDER BODY	1		
13	07120160-011	CHV-160-011	SLEEVE	1		
14	07120160-012	CHV-160-012	POWER PUSH ROD	1		
15	07800160-034	PHV-160-034	CLUTCH(III)	1		
16	07800160-033	PHV-160-033	CLUTCH(II)	1		
17	07800160-035	PHV-160-035	MINOR SCREW ROD	1		
18	RO4X4	RO4X4	ROLLER	4	4X4M/M	
19	07800160-037	PHV-160-037	CLUTCH SPRING	1		
20	07800160-036	PHV-160-036	CLUTCH WASHER	1		
21	SR-S-14	SR-S-14	SNAP RING	1	S-14	
22	SB03	SB03	STEEL BALL	1	3M/M	
23	SSM06X08L	SSM06X08L	SET SCREW	1	M6X8L	
24	SSM06X08L	SSM06X08L	SET REW	2	M6X8L	
25	SB04	SB04	STEEL BALL	26	4M/M	
26	07800160-027	PHV-160-027	BACKUP RING	1		
27	OS201006	OS201006	OIL-SEAL	1	20X10X06	
28	07800160-021	PHV-160-021	PACKING RING	1		
29	07800160-026	PHV-160-026	BOSTER RING	1		
30	OS352508	OS352508	OIL-SEAL	1	35X25X08	
31	OR-P-28	OR-P-28	O-RING	1	P-28	
32	SSM06X10L	SSM06X10L	SET SCREW	1	M6X10L	
33	DS204015	DS204015	DISC SPRING	1	20X40X1.5	
34	07120160-013	07120160-013	KEY	1	10X4X15L	
35	SSM06X08L	SSM06X08L	SET SCREW	1	M6X8L	
36	07800160-024	PHV-160-024	OIL PLUG	1		
37	OR-P-10	OR-P-10	O-RING	2	P-10	
38	07800160-025	PHV-160-025	OIL PLUG SEAL	1		
39	WS212	WS212	SNAP RING	1		
40	07120160-015	CHV-160-015	SNAP RING WASHER	1		

SAFEGWAY MACHINERY INDUSTRY CORPORATION

PART LISTS

MODEL:CHV-130V
MECH./HYDR. MC COMPACT VISE.

DATE:8 JULY, 1998
Computer No.07120130

41	07120160-016	CHV-160-016	COLLAR	1	
42	SCM05X16	SCM05X16	SOCKET CAP SCREW	3	M5X16L
43	SR-R-42	SR-R-42	SNAP RING	2	R42
44	07120160-020	CHV-160-020	CHIP SEAL	2	
45	SSM06X08L	SSM06X08L	SET SCREW	2	M6X8L
46	WS6203	WS6203	SPRING WASHER	4	6203
47	07120160-021	CHV-160-021	SPRING WASHER	1	
48	07120130-022	CHV-130-022	ADJUSTING SCREW	1	
49	07120160-023	CMV-160-023	CHIP COVER BLOCK	2	
50	SCM06X10L	SCM06X10L	SOCKET CAP SCREW	2	M6X10L
51	SCM10X40L	SCM10X40L	SOCKET CAP SCREW	4	M10X40L
52	OC-1/4"	OC-1/4"	OIL CAP	1	1/4"
53	07800160-006	PHV-160-006	SEMI-SPHERE SEGMENT	1	
54	SCM10X20L	SCM10X20L	SOCKET CAP SCREW	4	M10X20L
55	07120130-024	CHV-100-024	CHIP COVER GUIDE	1	
56	SSM06X08L	SSM06X08L	SET SCREW	4	M6X8L
57	07120160-025	CHV-160-025	VISE CLAMP BLOCK	4	
58	SDM04X08L	SDM04X08L	ROUND SOCKET CAP SCREW	2	M04X08L
59	07130130-026	CHV-130-026	CHIP COVER (FORWARD 1)	1	
60	07120130-027	CMV-100-027	CHIP COVER (FORWARD 2)	1	
61	07120130-028-1	CHV-130-028-1	CHIP COVER	1	50m/m
	07120130-028-2	CHV-130-028-2	CHIP COVER	1	100m/m
	07120130-028-3	CHV-130-028-3	CHIP COVER	1	150m/m
	07120130-028-4	CHV-130-028-4	CHIP COVER	1	200m/m
62	07800200-058	PHV-160-058	GUIDE KEY	2	18m/m
63	SCM06X10L	SCM06X10L	SOCKET CAP SCREW	2	M6X10L
64	07800100-054	07800100-054	HANDLE	1	
65	GR-001	GR-001	HANDLE GRIP	1	10m/m
66	07120130-029	CHV-130-029	NAME PLATES	2	
67	SDM04X08L	SDM04X08L	ROUND SET SCREW	4	M4X8L

SAFEWAY MACHINERY INDUSTRY CORPORATION

PART LISTS

MODEL:CHV-160V
MECH./HYDR. MC COMPACT VISE.

DATE:8 JULY. 1998
Computer No.07120160

NO.	Computer No.	Part No.	Part Name	Q'ty	Specification	Remark
1	07120160-001	CHV-160-001	MAIN BODY	1		
2	07120160-002	CHV-160-002	MAIN SCREW SUPPORT	1		
3	07120160-003	CHV-160-003	MOVABLE	1		
4	07120160-004	CHV-160-004	JAW PLATES	2		
5	07120160-005	CHV-160-005	LOCK DOWN BODY	1		
6	07120160-006	CHV-160-006	SEAL COVER	1		
7	07120160-007	CHV-160-007	MAIN SCREW	1		
8	07800160-029	PHV-160-029	KEY	1	12X25X5	
9	07120160-008	CHV-160-008	COLLAR	1		
10	OS352007	OS352007	CHIP SEAL	1	35X20X7	
11	07120160-009	CHV-160-009	PISTON	1		
12	07120160-010	CHV-160-010	CYLINDER BODY	1		
13	07120160-011	CHV-160-011	SLEEVE	1		
14	07120160-012	CHV-160-012	POWER PUSH ROD	1		
15	07800160-034	PHV-160-034	CLUTCH(□)	1		
16	07800160-033	PHV-160-033	CLUTCH(□)	1		
17	07800160-035	PHV-160-035	MINOR SCREW ROD	1		
18	R04X4	RO4X4	ROLLER	4	4X4M/M	
19	07800160-037	PHV-160-037	CLUTCH SPRING	1		
20	07800160-036	PHV-160-036	CLUTCH WASHER	1		
21	SR-S-14	SR-S-14	SNAP RING	1	S-14	
22	SB03	SB03	STEEL BALL	1	3M/M	
23	SSM06X08L	SSM06X08L	SET SCREW	1	M6X8L	
24	SSM06X08L	SSM06X08L	SET SCREW	2	M6X8L	
25	SB04	SB04	STEEL BALL	26	4M/M	
26	07800160-027	PHV-160-027	BACKUP RING	1		
27	OS201006	OS201006	OIL-SEAL	1	20X10X06	
28	07800160-021	PHV-160-021	PACKING RING	1		
29	07800160-026	PHV-160-026	BOSTER RING	1		
30	OS352508	OS352508	OIL-SEAL	1	35X25X08	
31	OR-P-28	OR-P-28	O-RING	1	P-28	
32	SSM06X10L	SSM06X10L	SET SCREW	1	M6X10L	
33	DS204015	DS204015	DISC SPRING	1	20X40X1.5	
34	07120160-013	07120160-013	KEY	1	10X4X15L	
35	SSM06X08L	SSM06X08L	SET SCREW	1	M6X8L	
36	07800160-024	PHV-160-024	OIL PLUG	1		
37	OR-P-10	OR-P-10	O-RING	2	P-10	
38	07800160-025	PHV-160-025	OIL PLUG SEAL	1		
39	WS212	WS212	SNAP RING	1		
40	07120160-015	CHV-160-015	SNAP RING WASHER	1		

SAFEBAY MACHINERY INDUSTRY CORPORATION

PART LISTS

MODEL:CHV-160V
MECH./HYDR. MC COMPACT VISE.

DATE:8 JULY. 1998
Computer No.07120160

41	07120160-016	CHV-160-016	COLLAR	1		
42	SCM05X16	SCM05X16	SOCKET CAP SCREW	3	M5X16L	
43	SR-R-42	SR-R-42	SNAP RING	2	R42	
44	07120160-020	CHV-160-020	CHIP SEAL	2		
45	SSM06X08L	SSM06X08L	SET SCREW	2	M6X8L	
46	WS6203	WS6203	SPRING WASHER	4	6203	
47	07120160-021	CHV-160-021	SPRING WASHER	1		
48	07120160-022	CHV-160-022	ADJUSTING SCREW	1		
49	07120160-023	CMV-160-023	CHIP COVER BLOCK	2		
50	SCM06X10L	SCM06X10L	SOCKET CAP SCREW	2	M6X10L	
51	SCM12X40L	SCM12X40L	SOCKET CAP SCREW	4	M12X40L	
52	OC-1/4"	OC-1/4"	OIL CAP	1	1/4"	
53	07800160-006	PHV-160-006	SEMI-SPHERE SEGMENT	1		
54	SCM10X20L	SCM10X20L	SOCKET CAP SCREW	4	M10X20L	
55	07120160-024	CHV-160-024	CHIP COVER GUIDE	1		
56	SSM06X08L	SSM06X08L	SET SCREW	4	M6X8L	
57	07120160-025	CHV-160-025	WISE CLAMP BLOCK	4		
58	SDM04X08L	SDM04X08L	ROUND SOCKET CAP SCREW	2	M04X08L	
59	07120160-026	CHV-160-026	CHIP COVER (FORWARD 1)	1		
60	07120160-027	CMV-160-027	CHIP COVER (FORWARD 2)	1		
61	07120160-028-1	CHV-160-028-1	CHIP COVER	1	60m/m	
	07120160-028-2	CHV-160-028-2	CHIP COVER	1	110m/m	
	07120160-028-3	CHV-160-028-3	CHIP COVER	1	160m/m	
	07120160-028-4	CHV-160-028-4	CHIP COVER	1	210m/m	
	07120160-028-5	CHV-160-028-5	CHIP COVER	1	260m/m	
62	07800200-058	PHV-200-058	GUIDE KEY	2	18m/m	
63	SCM06X10L	SCM06X10L	SOCKET CAP SCREW	2	M6X10L	
64	07800160-054	PHV-160-054	HANDLE	1		
65	GR-001	GR-001	HANDLE GRIP	1	10m/m	
66	07120160-029	CHV-160-029	NAME PLATES	2		
67	SDM04X08L	SDM04X08L	ROUND SET SCREW	4	M4X8L	

SAFEWAY MACHINERY INDUSTRY CORPORATION

PART LISTS

MODEL:CHV-200V

DATE:8 JULY. 1998

MECH./HYDR. MC COMPACT VISE.

Computer No.07120200

NO.	Computer No.	Part No.	Part Name	Q'ty	Specification	Remark
1	07120200-001	CHV-200-001	MAIN BODY	1		
2	07120200-002	CHV-200-002	MAIN SCREW SUPPORT	1		
3	07120200-003	CHV-200-003	MOVABLE	1		
4	07120200-004	CHV-200-004	JAW PLATES	2		
5	07120200-005	CHV-200-005	LOCK DOWN BODY	1		
6	07120200-006	CHV-200-006	SEAL COVER	1		
7	07120200-007	CHV-200-007	MAIN SCREW	1		
8	07800160-029	PHV-160-029	KEY	1	12X25X5	
9	07120200-008	CHV-200-008	COLLAR	1		
10	OS352007	OS352007	CHIP SEAL	1	35X20X7	
11	07120160-009	CHV-160-009	PISTON	1		
12	07120160-010	CHV-160-010	CYLINDER BODY	1		
13	07120160-011	CHV-160-011	SLEEVE	1		
14	07120160-012	CHV-160-012	POWER PUSH ROD	1		
15	07800160-034	PHV-160-034	CLUTCH(III)	1		
16	07800160-033	PHV-160-033	CLUTCH(II)	1		
17	07800160-035	PHV-160-035	MINOR SCREW ROD	1		
18	R04X4	RO4X4	ROLLER	4	4X4M/M	
19	07800160-037	PHV-160-037	CLUTCH SPRING	1		
20	07800160-036	PHV-160-036	CLUTCH WASHER	1		
21	SR-S-14	SR-S-14	SNAP RING	1	S-14	
22	SB03	SB03	STEEL BALL	1	3M/M	
23	SSM06X08L	SSM06X08L	SET SCREW	1	M6X8L	
24	SSM06X08L	SSM06X08L	SET SCREW	2	M6X8L	
25	SB04	SB04	STEEL BALL	26	4M/M	
26	07800160-027	PHV-160-027	BACKUP RING	1		
27	OS201006	OS201006	OIL-SEAL	1	20X10X06	
28	07800160-021	PHV-160-021	PACKING RING	1		
29	07800160-026	PHV-160-026	BOSTER RING	1		
30	OS352508	OS352508	OIL-SEAL	1	35X25X08	
31	OR-P-28	OR-P-28	O-RING	1	P-28	
32	SSM06X10L	SSM06X10L	SET SCREW	1	M6X10L	
33	DS204015	DS204015	DISC SPRING	1	20X40X1.5	
34	07120160-013	07120160-013	KEY	1	10X4X15L	
35	SSM06X08L	SSM06X08L	SET SCREW	1	M6X8L	
36	07800160-024	PHV-160-024	OIL PLUG	1		
37	OR-P-10	OR-P-10	O-RING	2	P-10	
38	07800160-025	PHV-160-025	OIL PLUG SEAL	1		
39	WS212	WS212	SNAP RING	1		
40	07120160-015	CHV-160-015	SNAP RING WASHER	1		
41	07120160-016	CHV-160-016	COLLAR	1		

SAFEWAY MACHINERY INDUSTRY CORPORATION

PART LISTS

MODEL:CHV-200V

DATE:8 JULY. 1998

MECH./HYDR. MC COMPACT VISE.

Computer No.07120200

42	SCM05X16	SCM05X16	SOCKET CAP SCREW	3	M5X16L	
43	SR-R-42	SR-R-42	SNAP RING	2	R47	
44	07120200-020	CHV-200-020	CHIP SEAL	2		
45	SSM06X08L	SSM06X08L	SET SCREW	2	M6X8L	
46	WS6204	WS6204	SPRING WASHER	4	6204	
47	07120160-021	CHV-160-021	SPRING WASHER	1		
48	07120200-022	CHV-200-022	ADJUSTING SCREW	1		
49	07120160-023	CMV-160-023	CHIP COVER BLOCK	2		
50	SCM06X10L	SCM06X10L	SOCKET CAP SCREW	2	M6X10L	
51	SCM12X40L	SCM12X40L	SOCKET CAP SCREW	4	M12X40L	
52	OC-1/4"	OC-1/4"	OIL CAP	1	1/4"	
53	07800200-006	PHV-200-006	SEMI-SPHERE SEGMENT	1		
54	SCM ¹² 10 X ²⁵ 20 L	SCM ¹² 10 X ²⁵ 20 L	SOCKET CAP SCREW	4	M ¹² 10 X ²⁵ 20 L	
55	07120200-024	CHV-200-024	CHIP COVER GUIDE	1		
56	SSM06X08L	SSM06X08L	SET SCREW	4	M6X8L	
57	07120160-025	CHV-160-025	WISE CLAMP BLOCK	4		
58	SDM04X08L	SDM04X08L	ROUND SOCKET CAP SCREW	2	M04X08L	
59	07120200-026	CHV-200-026	CHIP COVER (FORWARD 1)	1		
60	07120200-027	CMV-200-027	CHIP COVER (FORWARD 2)	1		
61	07120200-028-1	CHV-200-028-1	CHIP COVER	1	60m/m	
	07120200-028-2	CHV-200-028-2	CHIP COVER	1	110m/m	
	07120200-028-3	CHV-200-028-3	CHIP COVER	1	160m/m	
	07120200-028-4	CHV-200-028-4	CHIP COVER	1	210m/m	
	07120200-028-5	CHV-200-028-5	CHIP COVER	1	260m/m	
	07120200-028-6	CHV-200-028-6	CHIP COVER	1	310m/m	
62	07800200-058	PHV-200-058	GUIDE KEY	2	18m/m	
63	SCM06X10L	SCM06X10L	SOCKET CAP SCREW	2	M6X10L	
64	07800160-054	PHV-160-054	HANDLE	1		
65	GR-001	GR-001	HANDLE GRIP	1	10m/m	
66	07120160-029	CHV-160-029	NAME PLATES	2		
67	SDM04X08L	SDM04X08L	ROUND SET SCREW	4	M4X8L	